

Driveline Repair

Repair Order #: _____

Date: _____

Customer: _____

Contact: _____

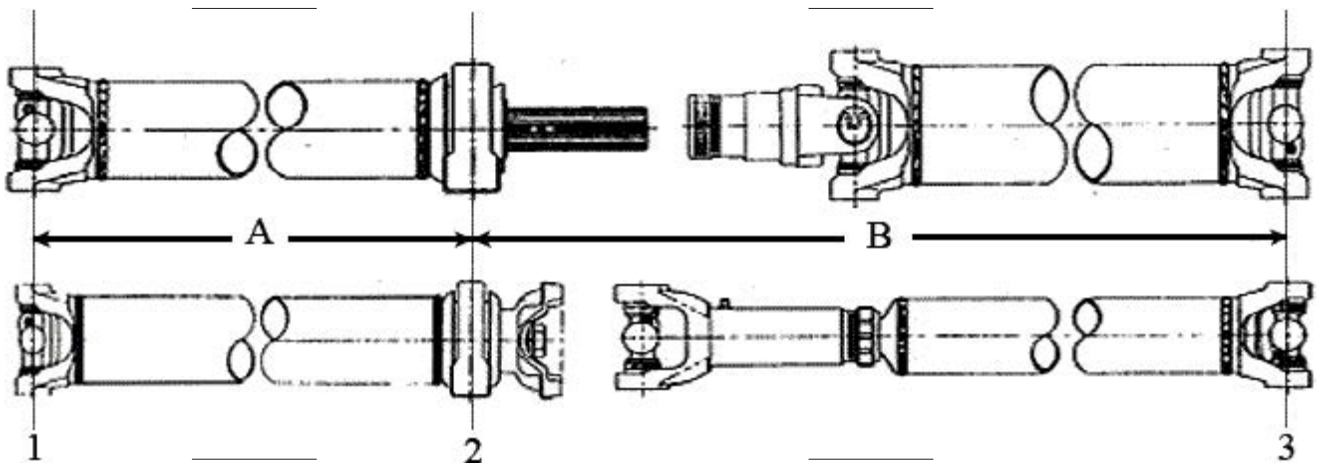
Phone #: _____

PO#: _____

Technician #: _____

Repair Notes/Complaint:

Driveline Measurement Chart



Customer Signature: _____



A FAMILY OF COMPANIES